

**n** **Vf**  
PAGE 228

**OSAWA**  
**NORM**

**8XD**

**12XD**

358SUH - 3512SUH (m7)

Ø mm	1~3	3.1~6	6.1~10	10.1~18	18.1~20
tol. D µ	+12 / +2	+16 / +4	+21 / +6	+25 / +7	+29 / +8



SUH  
MG  
**PV300**  
140°  
30°

SUH  
MG  
**PV300**  
140°  
30°

D(m7)	d(h6)	l	L	Stock	Stock
mm 1.00	3	9.5	50	●	
1.00	3	13.5	55		●
1.10	3	10.5	50	●	
1.10	3	14.9	55		○
1.20	3	11.4	50	●	
1.20	3	16.2	55		●
1.30	3	12.4	50	●	
1.30	3	17.6	55		●
1.40	3	13.3	50	●	
1.40	3	18.9	55		○
1.50	3	14.3	50	●	
1.50	3	20.3	55		●
1.60	3	15.2	50	●	
1.60	3	21.6	65		●
1.70	3	16.2	60	●	
1.70	3	23	65		○
1.80	3	17.1	60	●	
1.80	3	24.3	65		●
1.90	3	18.1	60	●	
1.90	3	25.7	65		○
2.00	3	19	60	●	
2.00	3	27	65		●
2.10	3	20	60	●	
2.10	3	28.4	65		●
2.20	3	20.9	60	●	
2.20	3	29.7	65		●
2.30	3	21.9	60	●	
2.30	3	31.1	65		○
2.40	3	22.8	60	●	
2.40	3	32.4	75		○
2.50	3	23.8	60	●	
2.50	3	33.8	75		●
2.60	3	24.7	60	●	
2.60	3	35.1	75		●
2.70	3	25.7	60	●	
2.70	3	36.5	75		○

● stock standard ○ non-standard stock EX stock exhaustion

**n** **Vf**  
PAGE 228

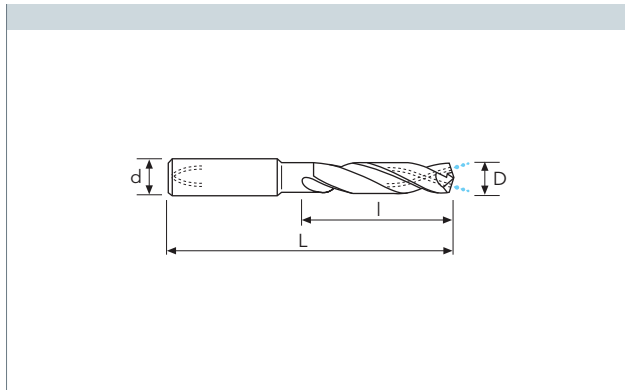
OSAWA  
NORM

8XD

12XD

358SUH - 3512SUH (m7)

Ø mm	1~3	3.1~6	6.1~10	10.1~18	18.1~20
tol. D µ	+12 / +2	+16 / +4	+21 / +6	+25 / +7	+29 / +8



<b>PV300</b>	<b>PV300</b>

D(m7)	d(h6)	l	L
mm <b>2.80</b>	3	26.6	60
<b>2.80</b>	3	37.8	75
<b>2.90</b>	3	27.6	60
<b>2.90</b>	3	39.2	75

Stock	Stock
h	
	h
h	
	f

h stock standard f non-standard stock EX stock exhaustion

DISTRIBUTOR

**RAINFORD PRECISION**

[rainfordprecision.com](http://rainfordprecision.com)

Visit our websites for Product Info, Videos  
Special Offers, Free Resources and more!

[precisiondrills.co.uk](http://precisiondrills.co.uk)  
[ultraprecisionmachining.co.uk](http://ultraprecisionmachining.co.uk)  
[precisionendmills.co.uk](http://precisionendmills.co.uk)

Call us on 01744 889726, we're here to help!

[sales@rainfordprecision.com](mailto:sales@rainfordprecision.com)